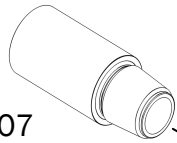
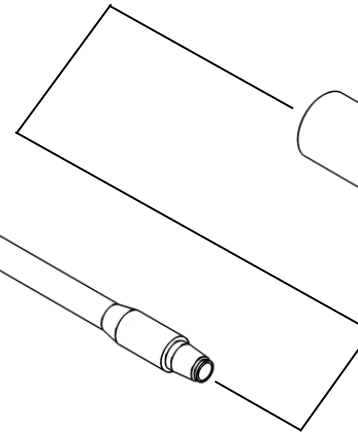


FOR USE WITH
INTEGRAL DRIVE
CHUCK

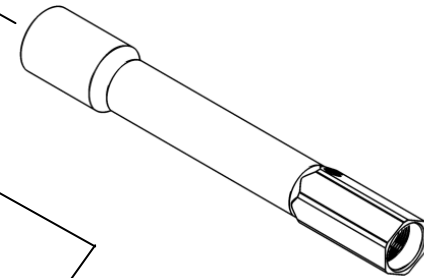
HI296276507
10" OAL

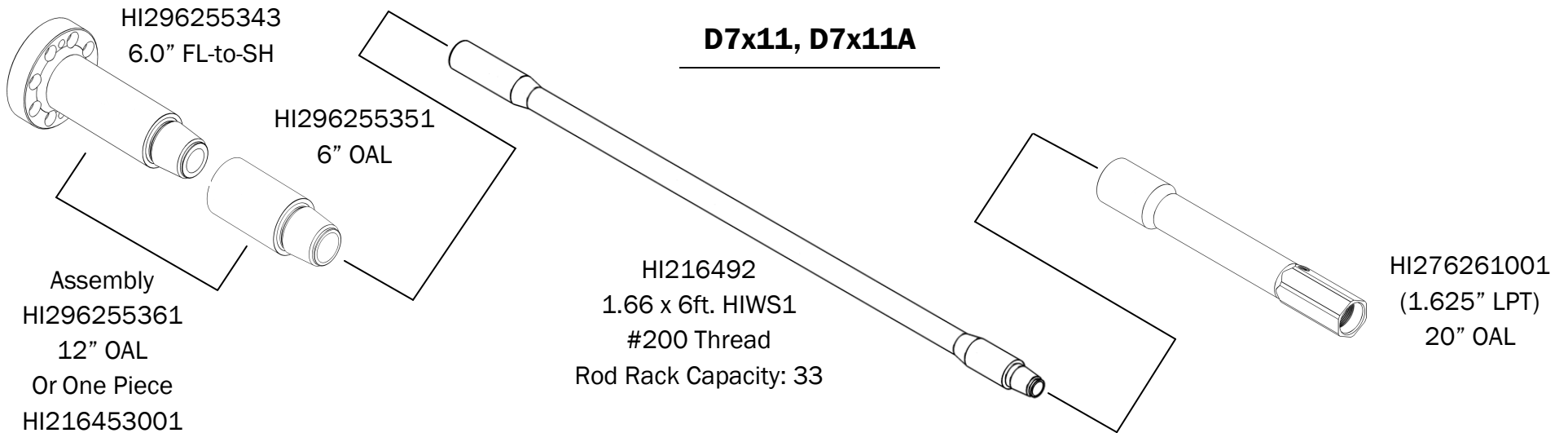


HI222394
1.315 x 6ft. HIWS1
#200 Thread
Rod Rack Capacity: 25

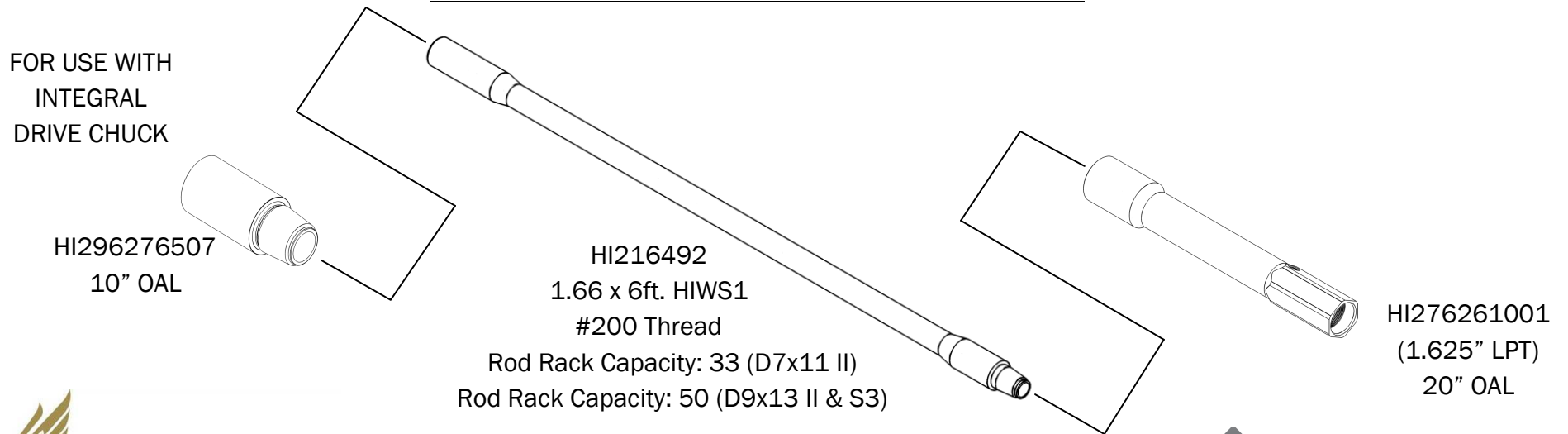


HI276261001
(1.625" LPT)
20" OAL





D7x11 Series II, D9x13 Series II, D9x13 S3



(* indicates non-stock item)



Vermeer®

D10x14, D10x15

Component Road Map

D10x14

FOR USE WITH
INTEGRAL
DRIVE CHUCK

HI296276507
10" OAL

HI219006
1.66 x 10ft. HIWS1
#200 Thread
Rod Rack Capacity: 35

HI276261001
(1.625" LPT)
20" OAL

D10x15

HI296255344 (*)
7" FL-to-SH

HI296255351
6" OAL

Assembly
HI296255363 (*)
13" OAL
Or One Piece
HI236301001 (*)

HI219006
1.66 x 10ft. HIWS1
#200 Thread
Rod Rack Capacity: 44

HI276261001
(1.625" LPT)
20" OAL



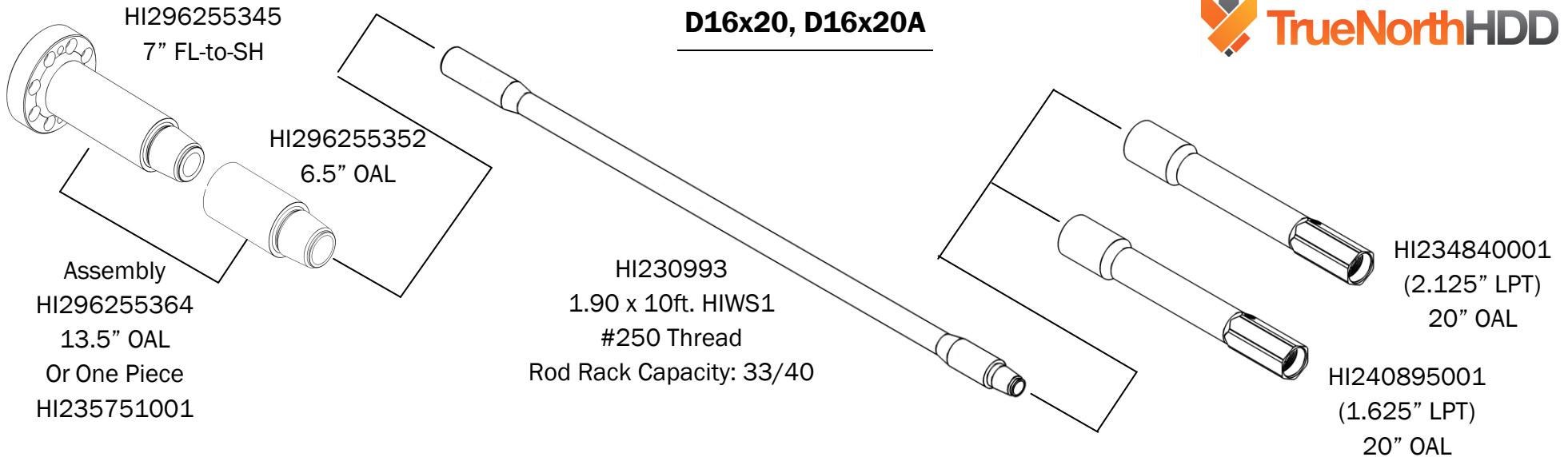
(*) indicates non-stock item



Vermeer®

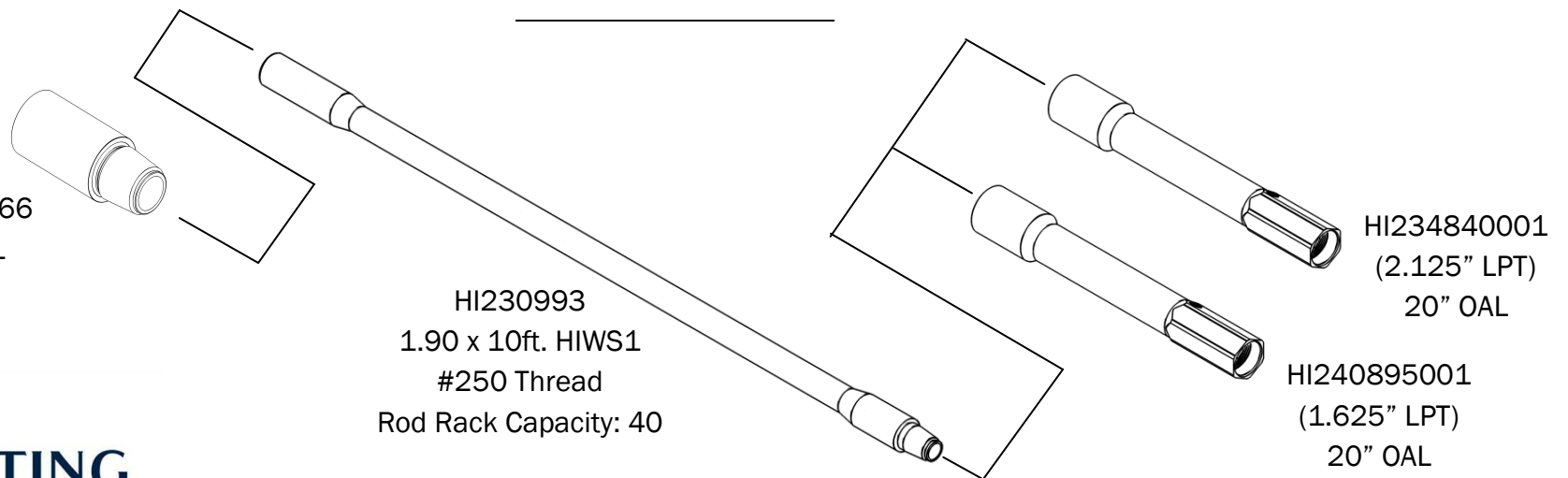
D16x20, D16x20A, D16x20 Series II

Component Road Map



D16x20 Series II

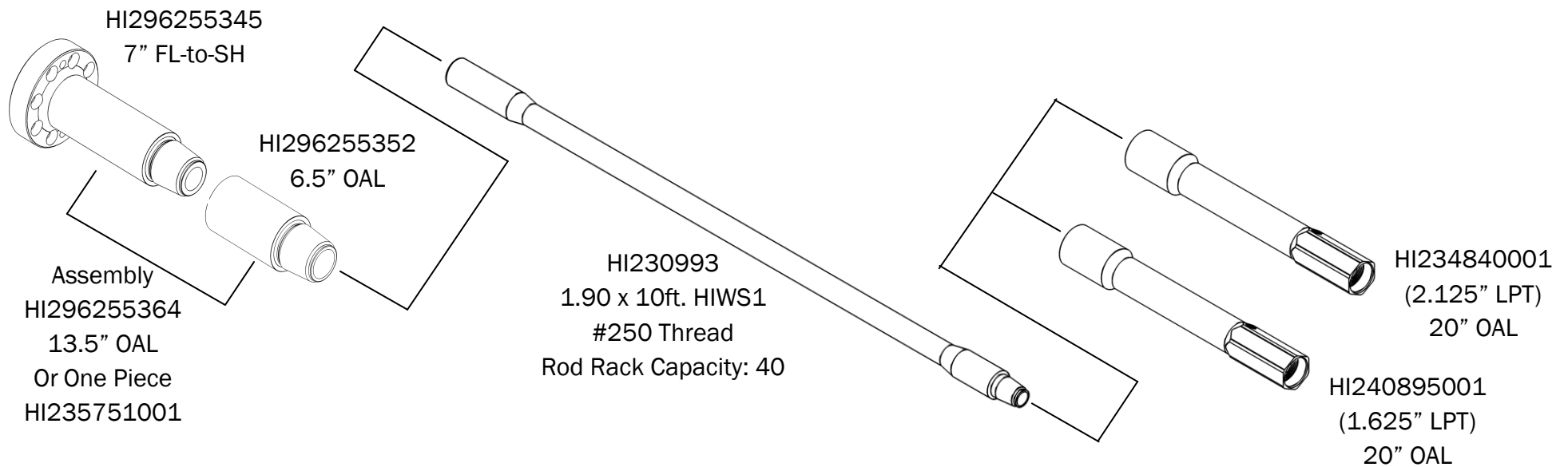
FOR USE WITH
INTEGRAL
DRIVE CHUCK



Vermeer®

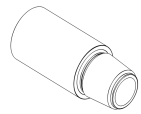
D18x22, D20x22

Component Road Map

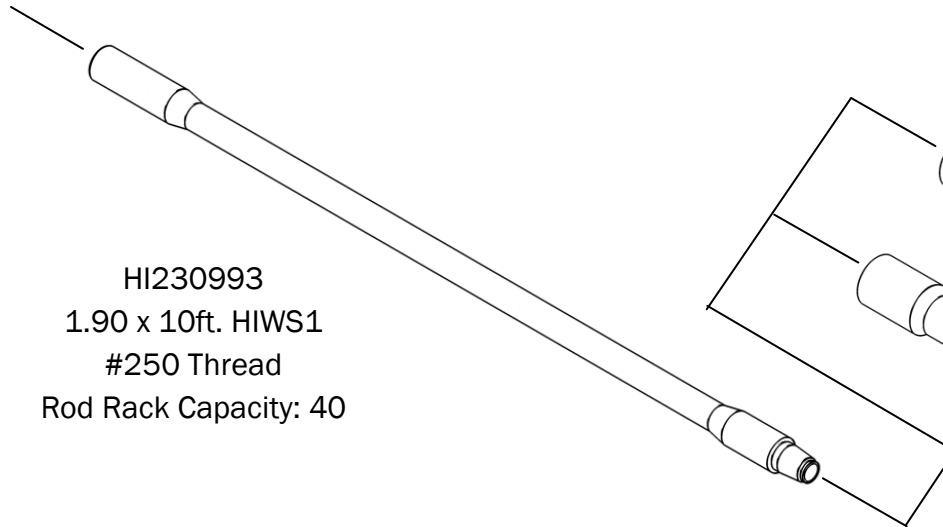


FOR USE WITH
INTEGRAL
DRIVE CHUCK

HI296291966
12.6" OAL



HI230993
1.90 x 10ft. HIWS1
#250 Thread
Rod Rack Capacity: 40



HI234840001
(2.125" LPT)
20" OAL

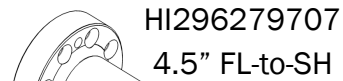
HI240895001
(1.625" LPT)
20" OAL

Vermeer®

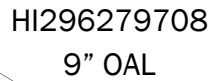
D20x22, D20x22 Series II

Component Road Map

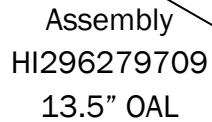
D20x22



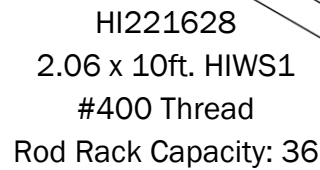
HI296279707
4.5" FL-to-SH



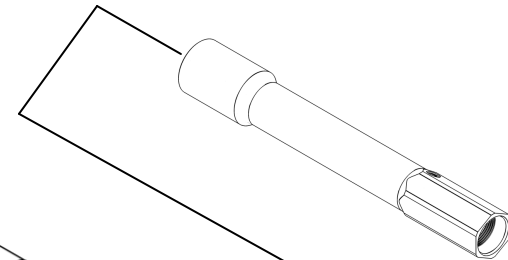
HI296279708
9" OAL



Assembly
HI296279709
13.5" OAL



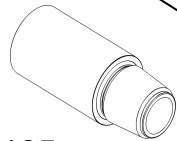
HI221628
2.06 x 10ft. HIWS1
#400 Thread
Rod Rack Capacity: 36



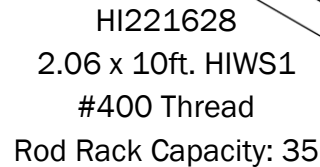
HI250658001
(2.125" LPT)
21.2" OAL

D20x22 Series II

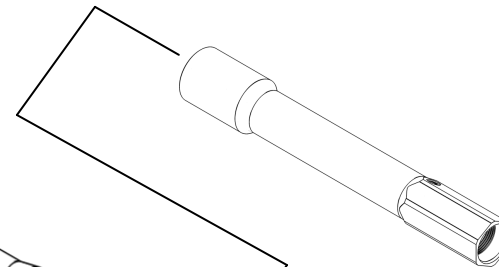
FOR USE WITH
INTEGRAL DRIVE
CHUCK



HI296281195
12.6" OAL



HI221628
2.06 x 10ft. HIWS1
#400 Thread
Rod Rack Capacity: 35



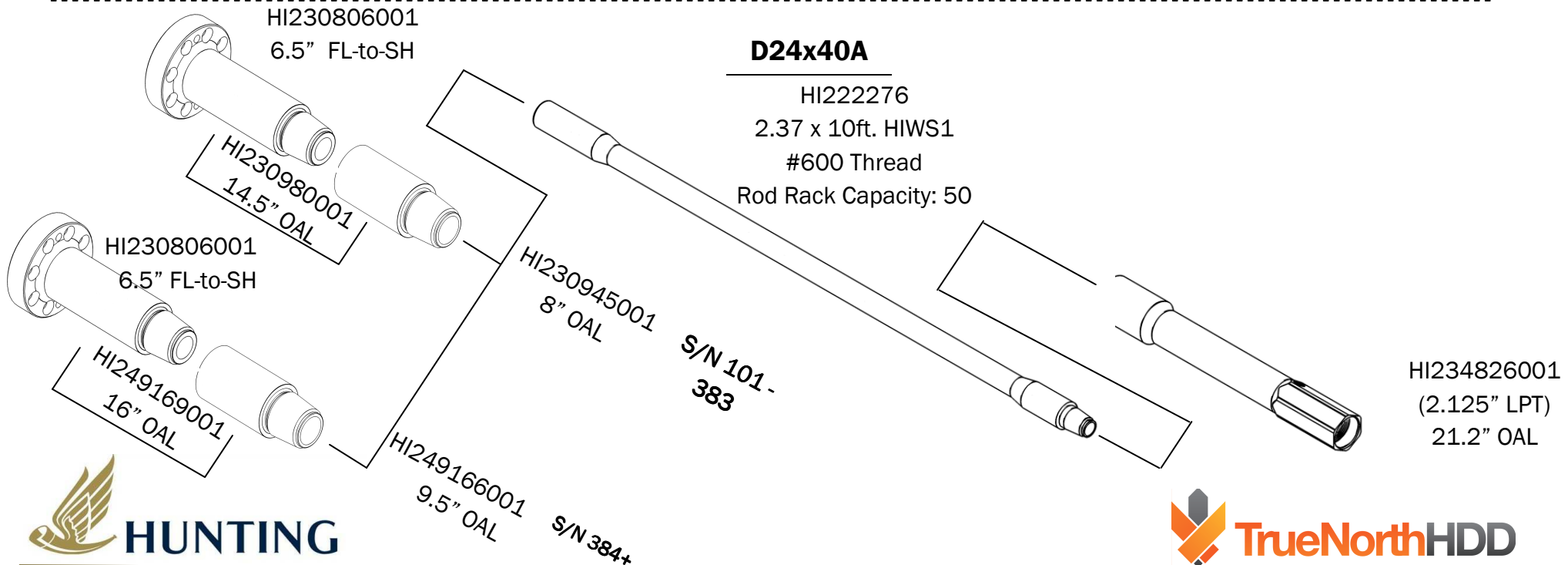
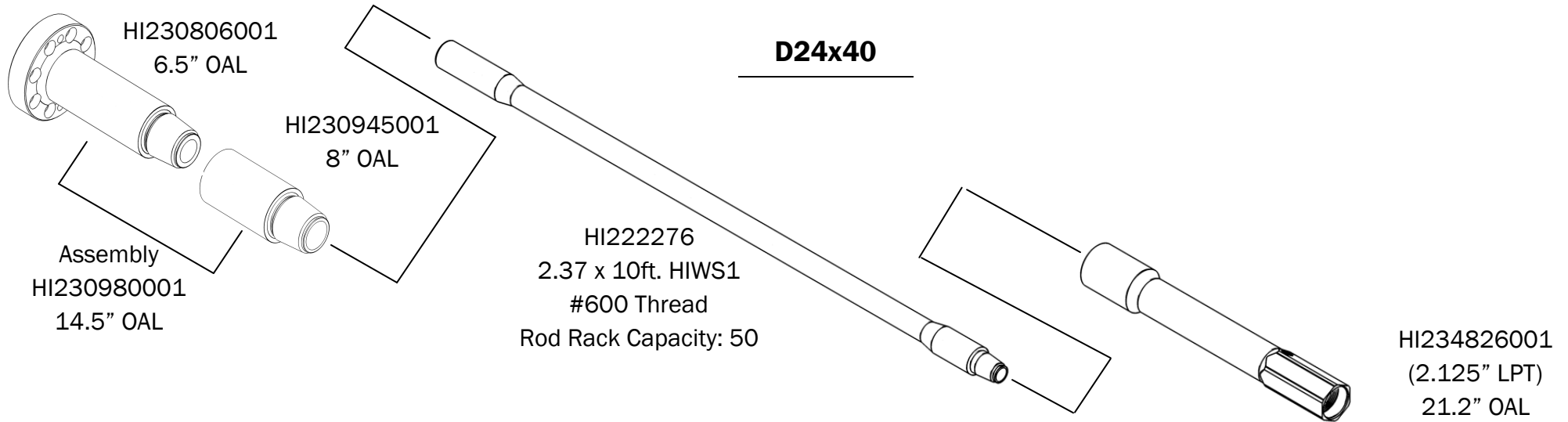
HI250658001
(2.125" LPT)
21.2" OAL



Vermeer®

D24x40, D24x40A

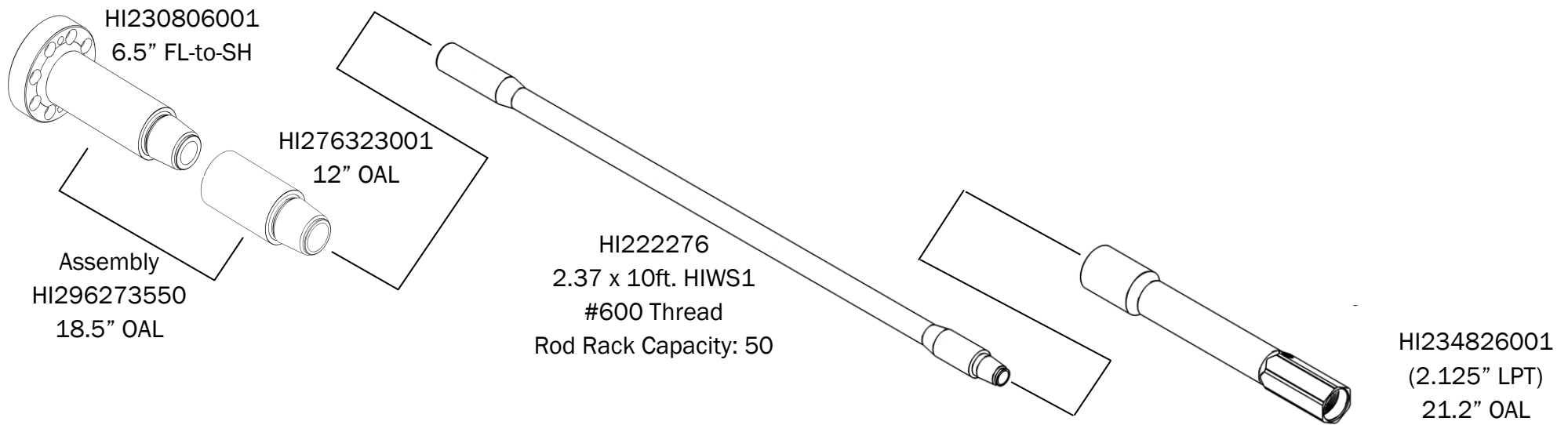
Component Road Map



Vermeer®

D24x40 Series II

Component Road Map



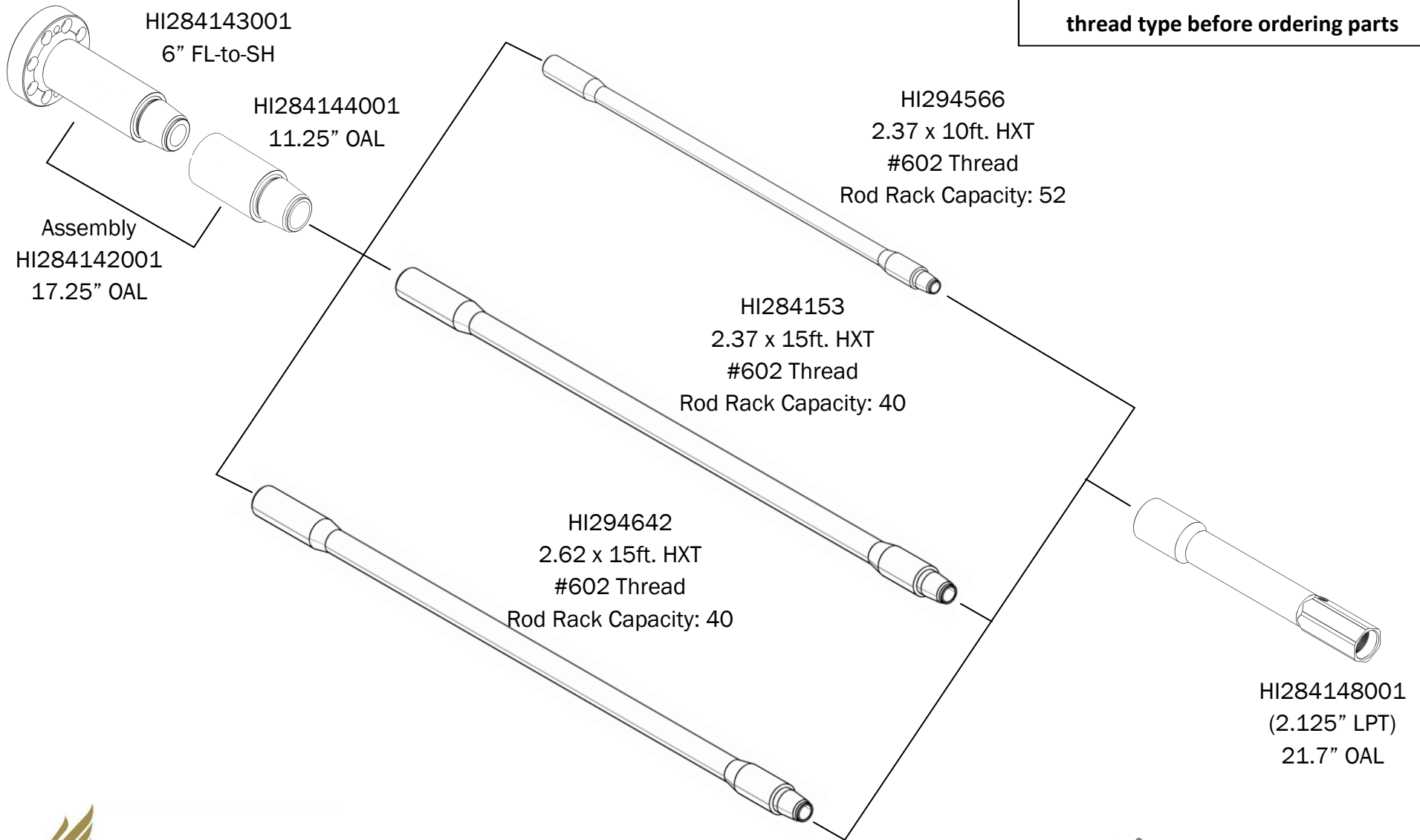
Vermeer®

D33x44, D36x50, D36x50 Series II (S/N 101 - 473)

HXT

Component Road Map

Possible conversion machine - Confirm thread type before ordering parts



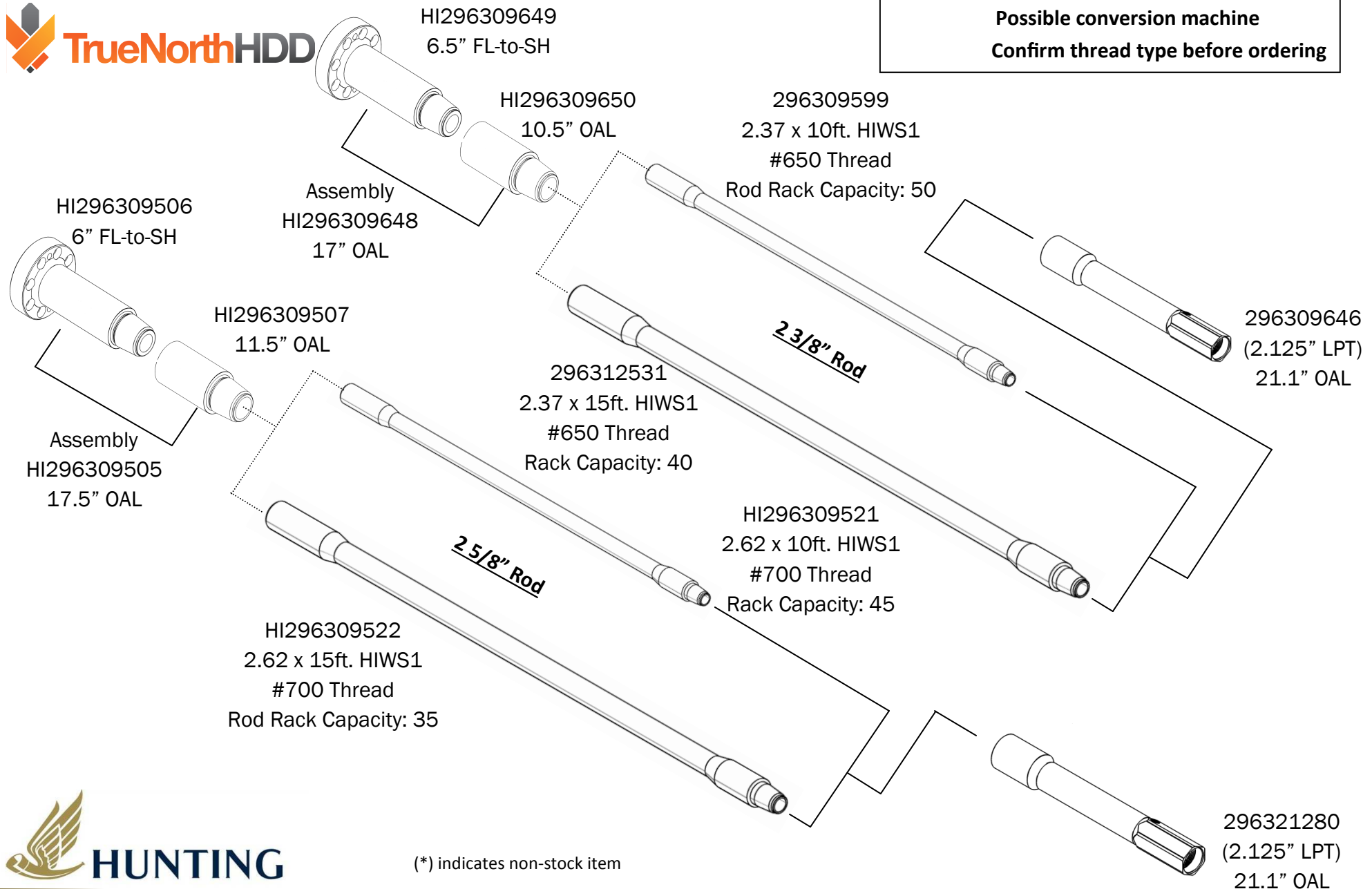
Vermeer®

D36x50 Series II (S/N 474 & up) & Converted Machines HIWS1

Component Road Map



Possible conversion machine
Confirm thread type before ordering



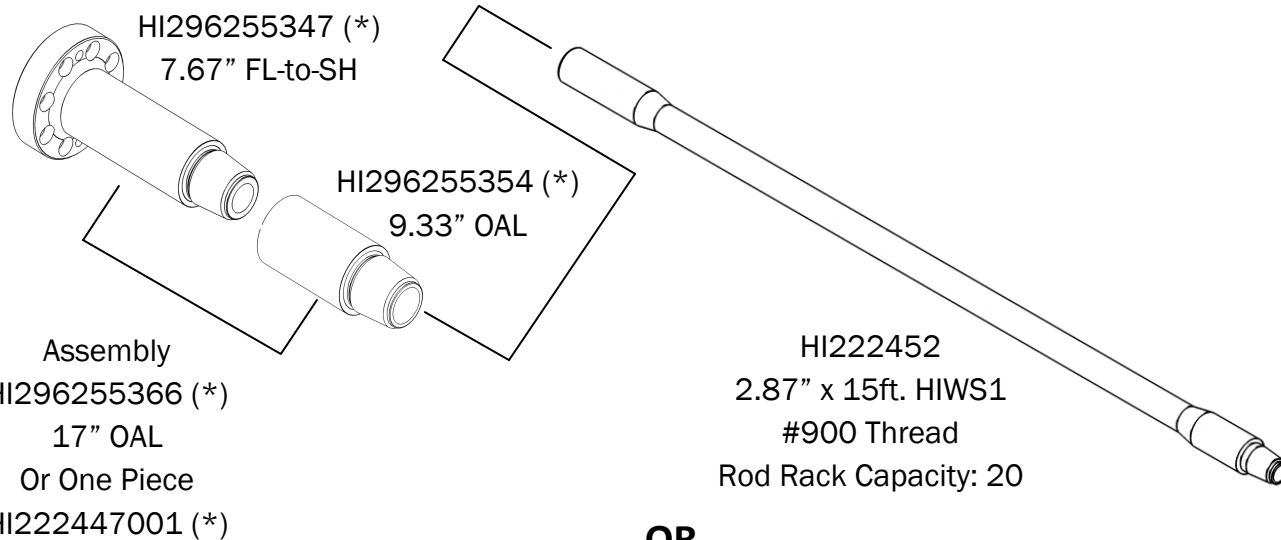
(* indicates non-stock item)



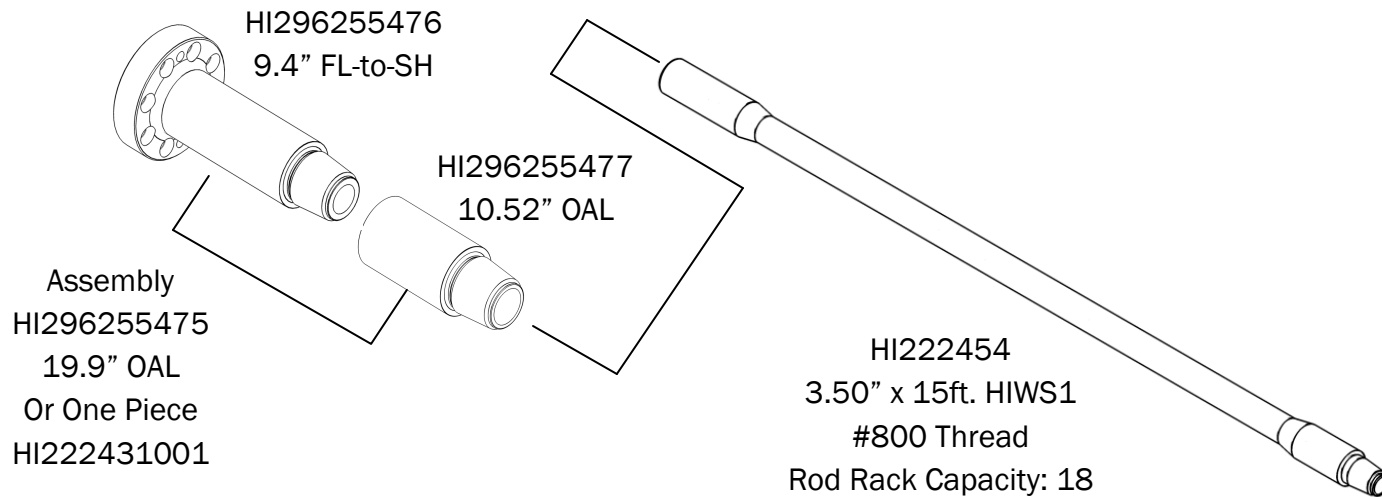
Vermeer®

D50x100, D50x100A

Component Road Map



OR



(*) indicates non-stock item

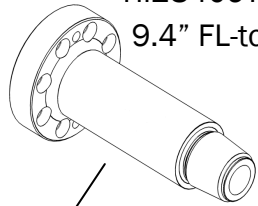


Vermeer®

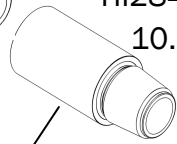
D55x100, D75x100

Component Road Map

HI284097001
9.4" FL-to-SH



HI284098001
10.5" OAL



Assembly
HI284094001
20" OAL

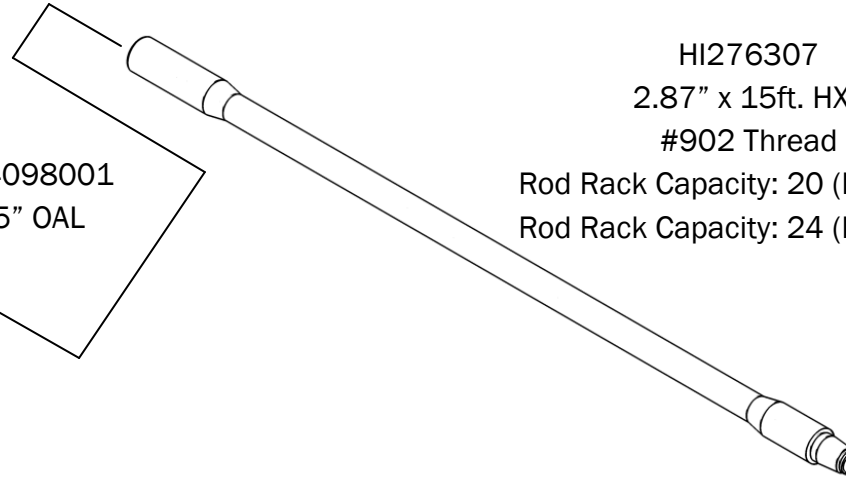
HI276307

2.87" x 15ft. HXT

#902 Thread

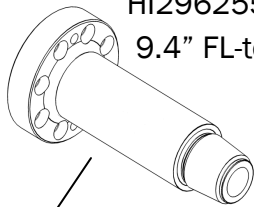
Rod Rack Capacity: 20 (D55x100)

Rod Rack Capacity: 24 (D75x100)

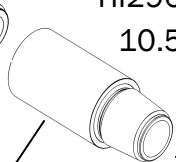


OR

HI296255476
9.4" FL-to-SH



HI296255477
10.52" OAL



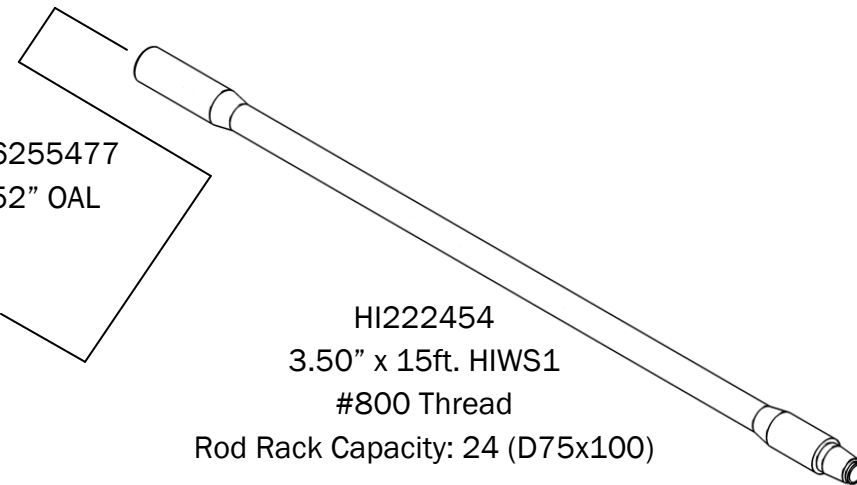
Assembly
HI296255475
19.9" OAL
Or One Piece
HI222431001

HI222454

3.50" x 15ft. HIWS1

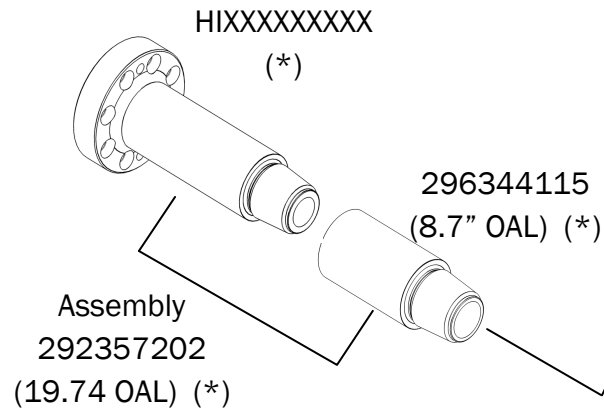
#800 Thread

Rod Rack Capacity: 24 (D75x100)



(* indicates non-stock item)

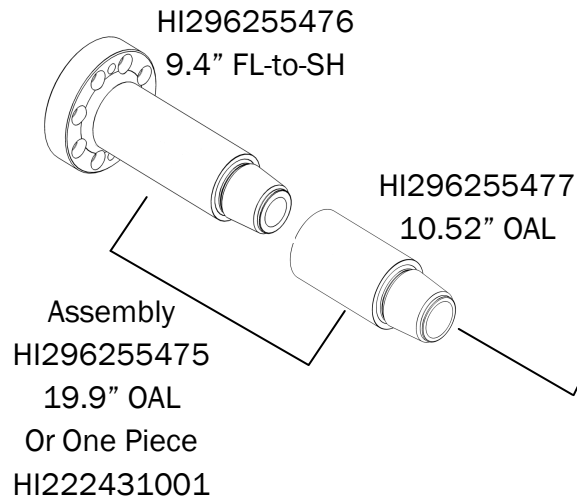




HI222451
2.87" x 10ft. HIWS1
#900 Thread
Rod Rack Capacity: 20

OR

HI222452
2.87" x 15ft. HIWS1
#900 Thread
Rod Rack Capacity: 30/15

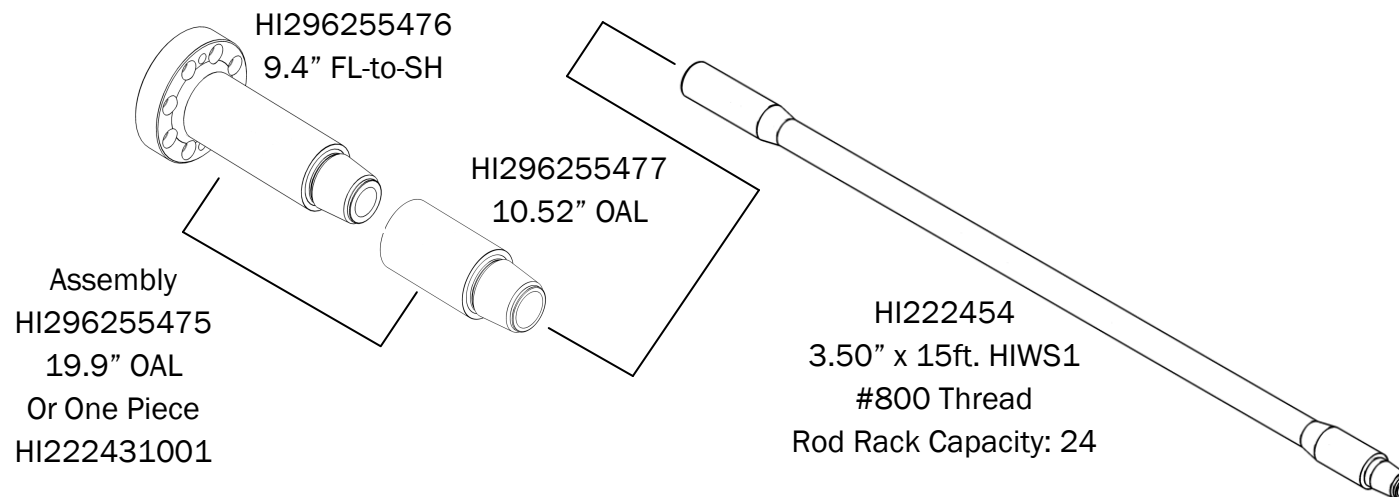


HI222454
3.500" x 15ft. HIWS1
#800 Thread
Rod Rack Capacity: 16/8

Vermeer®

D80x100, D80x100 Series II

Component Road Map



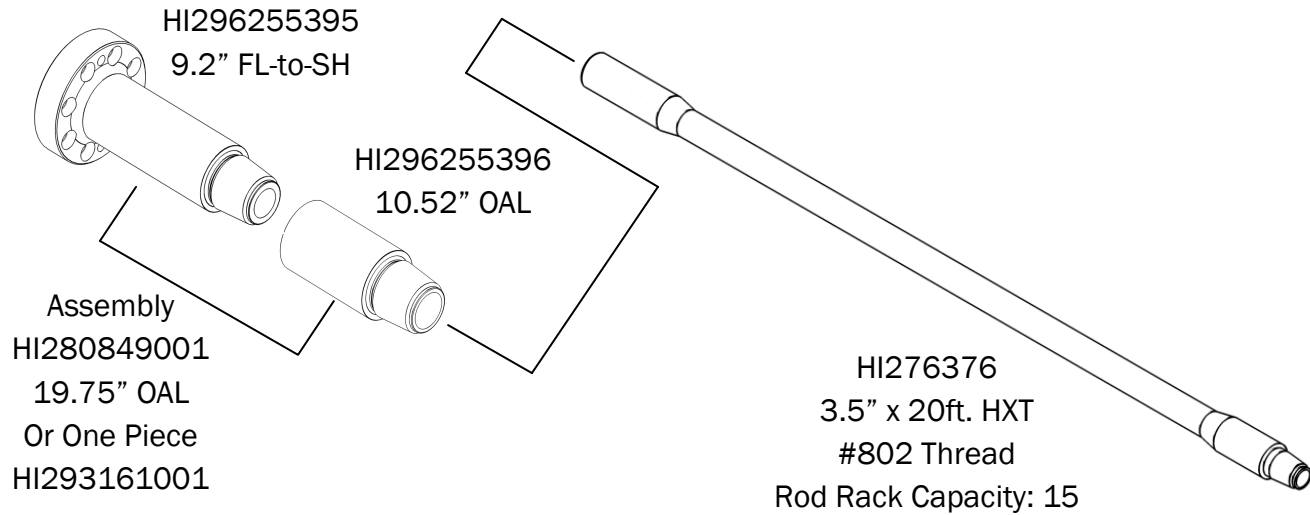
(* indicates non-stock item)



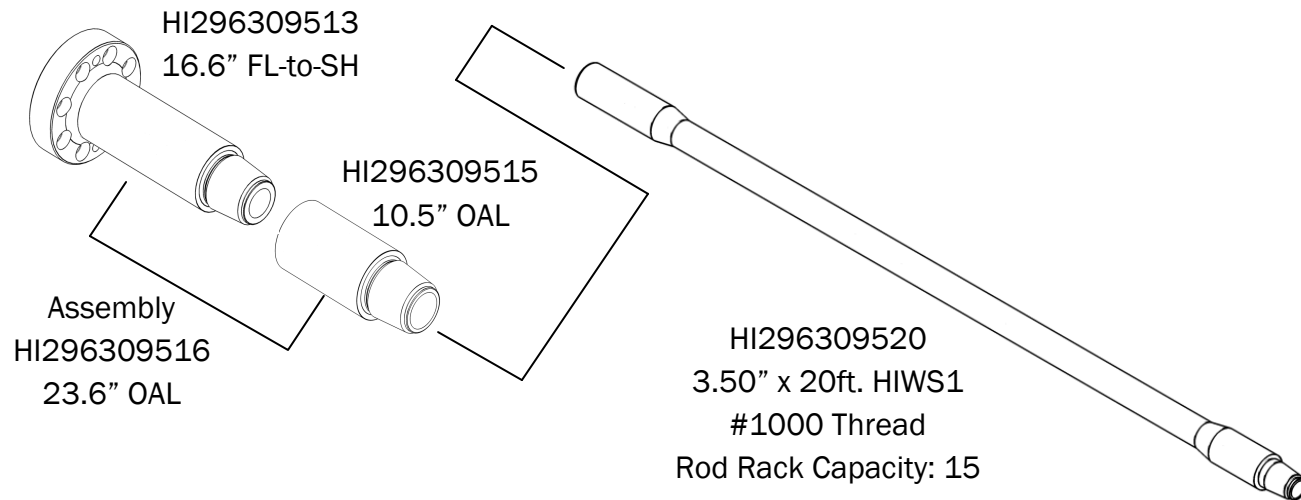
Vermeer®

D80x120, D100x120, D100x120 Series II, D100x140

Component Road Map



OR



(* indicates non-stock item)



